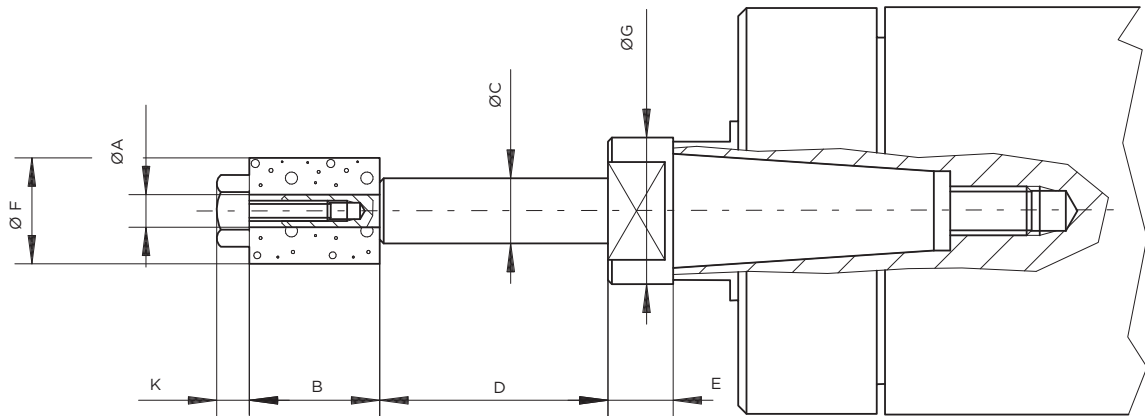


# Schleifdorner für Innenschleifspindeln



Typ A



|                |                | Produktdaten   |           |           |         |       |     |    |    |     |     |     |    |    |     |
|----------------|----------------|----------------|-----------|-----------|---------|-------|-----|----|----|-----|-----|-----|----|----|-----|
| Rechtslauf     | Linkslauf      | HSK            | HSK Größe | Spindel Ø | Ø A     | B     | Ø C | D  | E  | Ø F | Ø G | Ø H | I  | K  | Typ |
| Art.-Nr.       | Art.-Nr.       | Art.-Nr.       |           |           |         |       |     |    |    |     |     |     |    |    |     |
| VFZ-720.000000 | VFZ-720.000100 | VFZ-720.000200 | HSK-C32   | 40 mm     | 4       | 16    | 8   | 28 | 7  | 13  | 15  | -   | -  | 4  | A   |
| VFZ-720.000001 | VFZ-720.000101 | VFZ-720.000201 |           |           | 4       | 16    | 8   | 50 | 13 | -   | -   | 4   |    |    |     |
| VFZ-720.000002 | VFZ-720.000102 | VFZ-720.000202 |           |           | 6       | 16    | 10  | 30 | 16 | -   | -   | 7   |    |    |     |
| VFZ-720.000003 | VFZ-720.000103 | VFZ-720.000203 |           |           | 6       | 16    | 10  | 55 | 16 | -   | -   | 7   |    |    |     |
| VFZ-720.000004 | VFZ-720.000104 | VFZ-720.000204 | HSK-C32   | 40 mm     | 8       | 22    | 15  | 30 | 7  | 22  | 15  | 13  | 10 | -  | B   |
| VFZ-720.000005 | VFZ-720.000105 | VFZ-720.000205 |           |           | 8       | 22    | 15  | 60 | 22 | 13  | -   | -   |    |    |     |
| VFZ-720.000010 | VFZ-720.000110 | VFZ-720.000210 | HSK-C32   | 50 mm     | 4       | 16    | 8   | 28 | 8  | 13  | 18  | -   | -  | 4  | A   |
| VFZ-720.000011 | VFZ-720.000111 | VFZ-720.000211 |           |           | 4       | 16    | 8   | 50 | 13 | -   | -   | 4   |    |    |     |
| VFZ-720.000012 | VFZ-720.000112 | VFZ-720.000212 |           |           | 6       | 16    | 10  | 30 | 16 | -   | -   | 7   |    |    |     |
| VFZ-720.000013 | VFZ-720.000113 | VFZ-720.000213 |           |           | 6       | 16    | 10  | 55 | 16 | -   | -   | 7   |    |    |     |
| VFZ-720.000014 | VFZ-720.000114 | VFZ-720.000214 | HSK-C32   | 50 mm     | 8       | 22    | 15  | 30 | 8  | 22  | 18  | 13  | 10 | -  | B   |
| VFZ-720.000015 | VFZ-720.000115 | VFZ-720.000215 |           |           | 8       | 22    | 15  | 60 | 22 | 13  | -   | -   |    |    |     |
| VFZ-720.000016 | VFZ-720.000116 | VFZ-720.000216 |           |           | 10      | 25    | 18  | 30 | 25 | 16  | -   | -   |    |    |     |
| VFZ-720.000017 | VFZ-720.000117 | VFZ-720.000217 |           |           | 10      | 25    | 18  | 70 | 25 | 16  | -   | -   |    |    |     |
| VFZ-720.000020 | VFZ-720.000120 | VFZ-720.000220 | HSK-C40   | 60 mm     | 6       | 16    | 10  | 35 | 8  | 16  | 24  | -   | -  | 7  | A   |
| VFZ-720.000021 | VFZ-720.000121 | VFZ-720.000221 |           |           | 6       | 16    | 10  | 60 | 16 | -   | -   | 7   |    |    |     |
| VFZ-720.000022 | VFZ-720.000122 | VFZ-720.000222 | HSK-C40   | 60 mm     | 6       | 20    | 13  | 40 | 8  | 20  | 24  | 11  | 5  | -  | B   |
| VFZ-720.000023 | VFZ-720.000123 | VFZ-720.000223 |           |           | 6       | 20    | 13  | 70 | 20 | 11  | 5   | -   |    |    |     |
| VFZ-720.000024 | VFZ-720.000124 | VFZ-720.000224 |           |           | 8       | 25    | 16  | 45 | 25 | 13  | 10  | -   |    |    |     |
| VFZ-720.000025 | VFZ-720.000125 | VFZ-720.000225 |           |           | 8       | 25    | 16  | 80 | 25 | 13  | 10  | -   |    |    |     |
| VFZ-720.000026 | VFZ-720.000126 | VFZ-720.000226 |           |           | 10      | 30    | 20  | 50 | 30 | 16  | 10  | -   |    |    |     |
| VFZ-720.000027 | VFZ-720.000127 | VFZ-720.000227 |           |           | 10      | 30    | 20  | 85 | 30 | 16  | 10  | -   |    |    |     |
| VFZ-720.000028 | VFZ-720.000128 | VFZ-720.000228 |           |           | HSK-C40 | 60 mm | 13  | 40 | 28 | 55  | 8   | 40  | 28 | 22 | 10  |